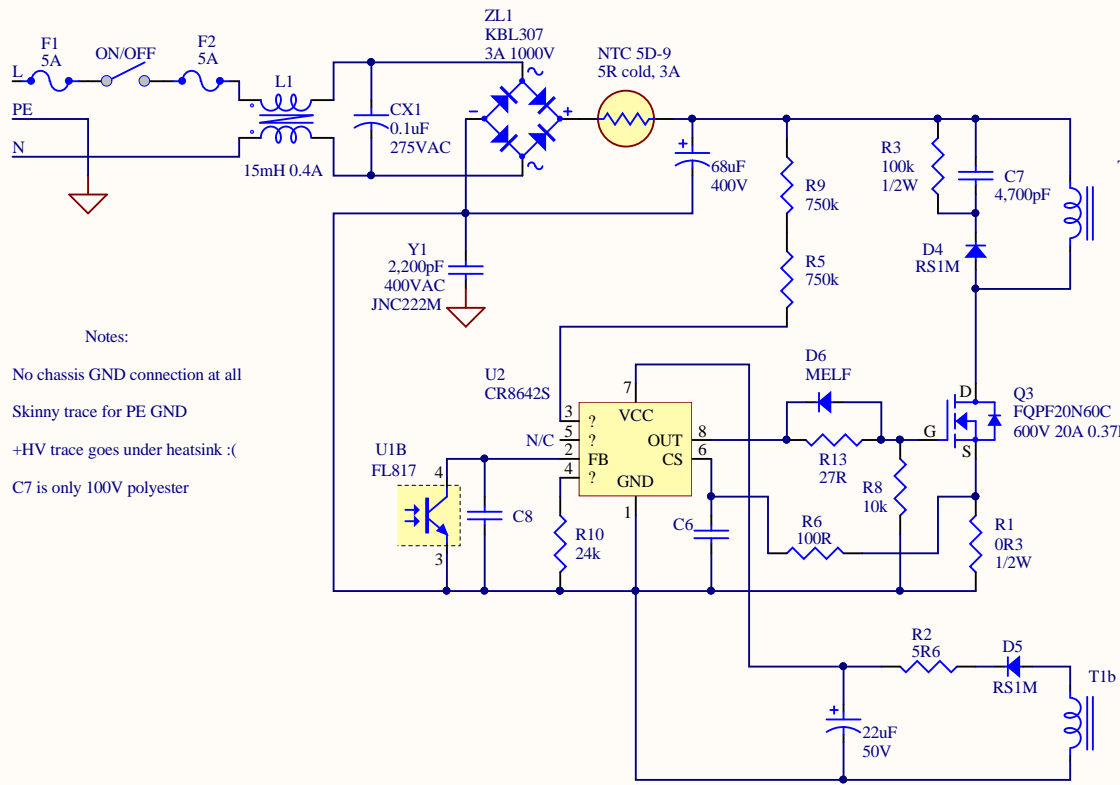
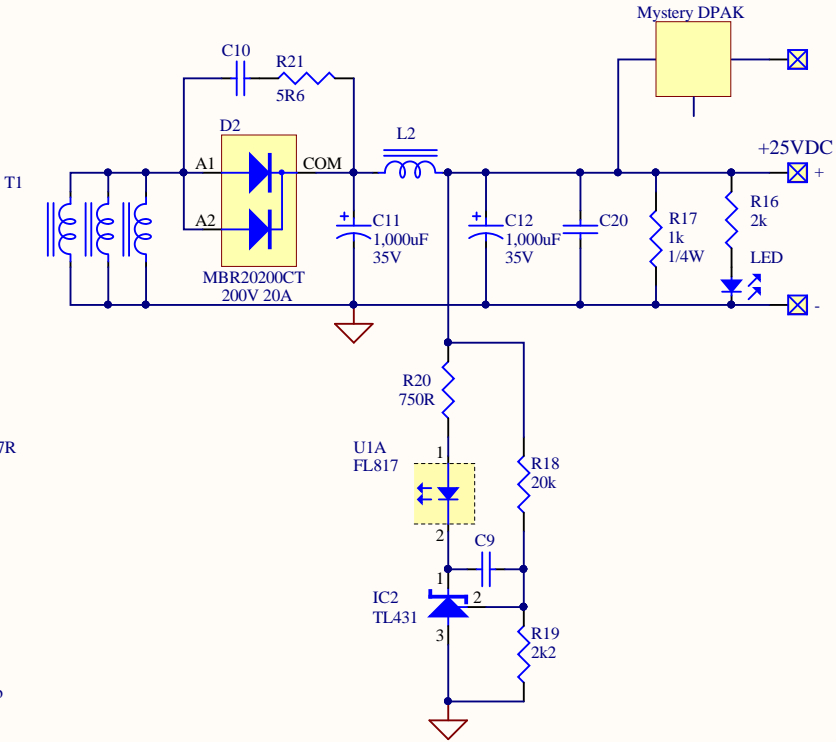


KSGER 96W 24V 5A Electric Power Supply Unit For STM32 STC OLED T12 Digital DIY Soldering Station Controller

Soldering Power V2.04



Notes:
 No chassis GND connection at all
 Skinny trace for PE GND
 +HV trace goes under heatsink :(
 C7 is only 100V polyester



eevblog floobydust
 Sch Rev. 2